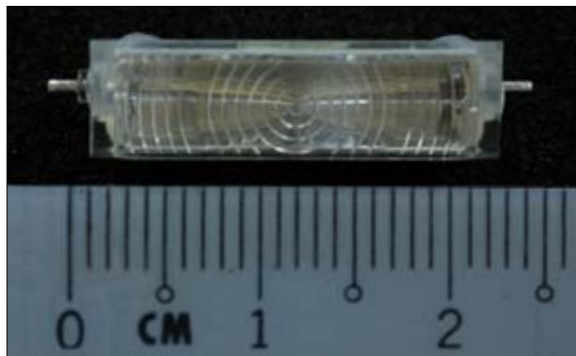


Trim Xe™ 1.5 FTA Xenon Flash by PerkinElmer

Delivering the world's best photographic image quality to digital and mobile phone cameras



Overview

PerkinElmer's new Trim Xe™ family of Xenon Flash products is the technology platform of choice for today's mobile phone cameras.

PerkinElmer's new Trim Xe line delivers the superb photographic quality that consumers have come to expect and rely on in digital still cameras (DSC)—the performance that can only be achieved with Xenon Flash.

The advantages of the Trim Xe family include a dramatic 35% reduction in module size over prior generation Xenon products, 1000x greater light output (Lux.s) than the brightest LEDs at 200 μ S pulse width and 100X faster shutter speed and exposure time than with LEDs. Only Xenon Flash provides accurate color temperatures close to natural sunlight and—with its

microsecond pulse width—Xenon freezes motion and provides clear, crisp photos that require no brightness/contrast correction or image stabilization.

The Trim Xe family is the right choice to support leading handset manufacturers' miniaturization roadmaps and delivers better performance than previous generation Xenon Flash offerings on the market. It is available in a range of lamp diameters including 1.8 mm, 1.5 mm and 1.3 mm widths. The Trim Xe 1.5 mm FTA has a higher LOP efficiency, 10,000 flash lifetime, lower triggerability voltage, and a lower capacitance requirement than prior generation Xenon products. The robust design of the Trim Xe also provides greater resistance to cracks over its lifetime.

Features and Benefits

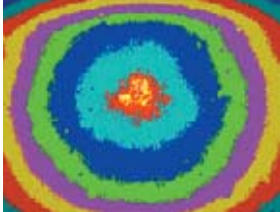
- ▶ 35% Smaller Flash Module size vs. prior generation Xenon products—perfect for today's trim and ultra-slim mobile phones and digital cameras.
- ▶ Longer life—10,000 flashes
- ▶ Higher LOP efficiency—LOP drop over life < 10%
- ▶ Stronger, tougher design
- ▶ Lower triggerability voltage
- ▶ Lower capacitance required
- ▶ New lamp technology in Trim Xe family enables lower cost Xenon Flash modules

Advantages of Xenon Flash

- ▶ Sharp, clear, crisp colorful photos
- ▶ Freezes motion—less blur, great action detail
- ▶ Accurate color temperature, close to natural daylight
- ▶ Requires no “bandaids” such as brightness/contrast correction, image stabilization software and color correction
- ▶ Great user experience with no squinting—100-150x faster shutter speed compared to LED “flash.”

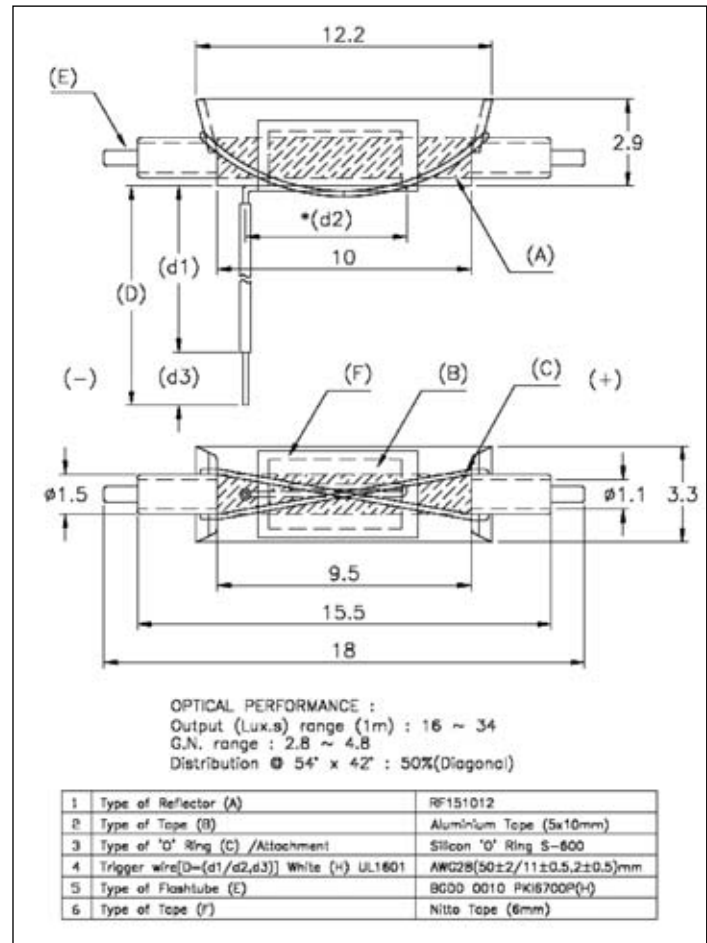
TECHNICAL SPECIFICATIONS

| Trim Xe 1.5 FTA | |
|-----------------------------------|-----------------------------------|
| FTA type | RF151012+BGDD 0010 PKI6700P(H) |
| Charging voltage (V) | 250 – 320 |
| Flash capacitor (μF) | 20 – 40 μF |
| Input energy range (Ws) | 1.0 – 2.05 |
| Output (Lux.s) at distance of 1 m | 13.5 – 37 |
| G.N. range (@ ISO100) | 2.6 – 4.3 |
| Distribution (AOV: 54 X 42) | Diagonal: 50% |



| | |
|------------------------------|---------------------------------|
| Minimum FTA size | 2.9/3.3/12.2 |
| Height/Width/Length (mm) | |
| FTA volume (mm^3) | 116.7 |
| Life | 10,000 @ 320 V/40 μF |
| Triggerability (V) | 250 |
| I Peak (A) | 140 |
| Arc Length (mm) | 9.5 |
| LOP drop over life | < 10% |
| Lamp diameter ID/OD (mm/mm) | 1.0/1.5 |

MECHANICAL SPECIFICATIONS



Worldwide Headquarters
PerkinElmer Optoelectronics
 44370 Christy Street
 Fremont, CA 94538-3180
 Telephone: +1 510-979-6500
 Toll free: (N. America) +1 800-775-OPTO (6786)
 Fax: +1 510-687-1140
 Email: opto@perkinelmer.com
www.optoelectronics.perkinelmer.com

European Headquarters
PerkinElmer Optoelectronics
 Wenzel-Jaksch-Str. 31
 65199 Wiesbaden, Germany
 Telephone: (+49) 611-492-247
 Fax: (+49) 611-492-170
 Email: opto.Europe@perkinelmer.com

Asia Headquarters
PerkinElmer Optoelectronics
 47 Ayer Rajah Crescent #06-12
 Singapore 139947
 Telephone: (+65) 6775-2022
 Fax: (+65) 6775-1008
 Email: opto.Asia@perkinelmer.com



For a complete listing of our global offices, visit www.optoelectronics.perkinelmer.com

©2006 PerkinElmer, Inc. All rights reserved. The PerkinElmer logo and design are registered trademarks of PerkinElmer, Inc. Trim Xe is a trademark of PerkinElmer, Inc. or its subsidiaries, in the United States and other countries. All other trademarks not owned by PerkinElmer, Inc. or its subsidiaries that are depicted herein are the property of their respective owners. PerkinElmer reserves the right to change this document at any time without notice and disclaims liability for editorial, pictorial or typographical errors.

600157_01 DTS1006P Printed in USA